

# PRORIL

50Hz

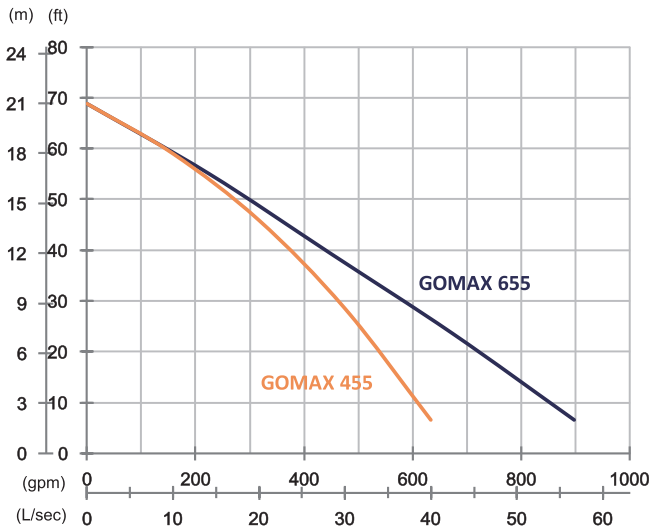
GOMAX Series, these non-clog pumps employ a single-channel enclosed impeller to efficiently and reliably transfer 76mm diameter solids without clogging. GOMAX series pumps are suitable for commercial and industrial wastewater applications.

## Sewage Pump

# GOMAX 455/655

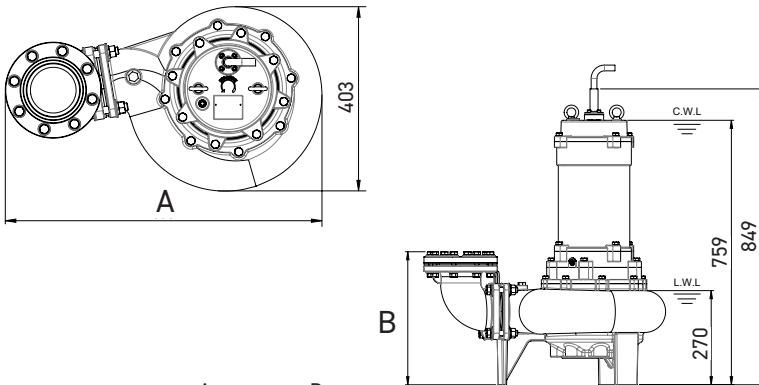
Single Channel Pump





	GOMAX 455	GOMAX 655
<b>OUTPUT</b>	5.5 kW (7.5 HP)	5.5 kW (7.5 HP)
<b>OUTLET</b>	4" (100 mm)	6" (150 mm)
<b>SOLID PASSAGE</b>	76 mm	76 mm
<b>Weight</b>	132 kg	138 kg
<b>HEAD</b>	Rated: 14 m Max: 21 m	Rated: 12 m Max: 21 m
<b>FLOW</b>	Rated: 20 L/s Max: 40 L/s	Rated: 28.3 L/s Max: 56.6 L/s

<b>Pump Type</b>		Electric Submersible Pumps
<b>Motor</b>	<b>Phase</b>	3-Phase
	<b>Type</b>	Induction Motor
	<b>Poles</b>	4 Pole (1450 rpm)
	<b>Insulation</b>	Class F
	<b>Protector</b>	Star-Delta · Miniature Thermal Sensors D.O.L · Circle Thermal Protector
	<b>Starter</b>	Star-Delta, D.O.L.
<b>Lubricant</b>		Food Grade (ISO VG32)
<b>Specs.</b>	<b>Impeller Type</b>	Single Channel
	<b>Shaft Seal</b>	Double Mechanical Seal Silicon Carbide VS Ceramic/Carbon
	<b>Bearings</b>	C3 Shielded ball bearings
	<b>Cable</b>	H07RN-F 10 m or longer upon request
<b>Materials</b>	<b>Pump Casing</b>	Gray Iron
	<b>Impeller</b>	Gray Iron
	<b>Motor Frame</b>	Gray Iron
	<b>Motor Shaft</b>	Stainless Steel
	<b>Mouth Ring</b>	Copper Alloy
<b>Max. Liquid Temperature</b>		40°C (104°F)
<b>Max. Submersion Depth</b>		20 m (66 ft)
<b>pH Range</b>		pH 5 - pH 8
<b>Guide Rail</b>		GRN-04



	A	B
<b>GOMAX 455</b>	693	364
<b>GOMAX 655</b>	752	437

unit : mm  
C.W.L : Continuous running water level  
L.W.L : Lowest running water level